

**PLEASE CHECK WWW.MOLEX.COM FOR LATEST PART INFORMATION**

**Part Number:** [0876201001](#)  
**Status:** **Active**  
**Description:** 1.27mm (.050") Pitch SCA-2 Receptacle, Through Hole, Right Angle, Extended Height, Reverse D Mate, Leadfree

**Documents:**

[3D Model](#)  
[Drawing \(PDF\)](#)

[RoHS Certificate of Compliance \(PDF\)](#)

**General**

Product Family	PCB Receptacles
Series	<a href="#">87620</a>
Application	Board-to-Board
Product Name	SCA-2

**Physical**

Circuits (Loaded)	40
Color - Resin	Black
Durability (mating cycles max)	500
Glow-Wire Compliant	No
Lock to Mating Part	Yes
Material - Metal	Phosphor Bronze
Material - Plating Mating	Gold
Material - Plating Termination	Tin
Material - Resin	High Temperature Thermoplastic
Number of Rows	2
Orientation	Right Angle
PC Tail Length (in)	0.100 In
PC Tail Length (mm)	2.54 mm
PCB Locator	Yes
PCB Retention	Yes
PCB Thickness Recommended (in)	0.062 In
PCB Thickness Recommended (mm)	1.60 mm
Packaging Type	Tray
Pitch - Mating Interface (in)	0.050 In
Pitch - Mating Interface (mm)	1.27 mm
Plating min: Mating (µin)	30.4
Plating min: Mating (µm)	0.76
Plating min: Termination (µin)	101.6
Plating min: Termination (µm)	2.54
Polarized to Mating Part	Yes
Polarized to PCB	Yes
Surface Mount Compatible (SMC)	N/A
Temperature Range - Operating	-55°C to +105°C
Termination Interface: Style	Through Hole

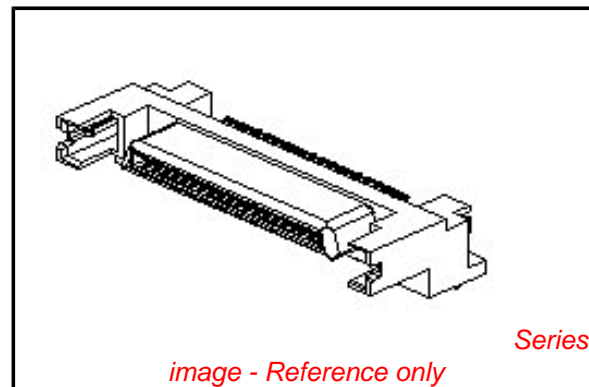
**Electrical**

Current - Maximum per Contact	1A
Voltage - Maximum	30V

**Solder Process Data**

Duration at Max. Process Temperature (seconds)	5
Lead-free Process Capability	SMC & Wave Capable (TH only)
Max. Cycles at Max. Process Temperature	1
Process Temperature max. C	270

**Material Info**



*image - Reference only*

**EU RoHS**

**ELV and RoHS Compliant**  
**REACH SVHC**  
**Contains SVHC: No**  
**Halogen-Free**  
**Status**

**China RoHS**



**Need more information on product environmental compliance?**

Email [productcompliance@molex.com](mailto:productcompliance@molex.com)  
 For a multiple part number RoHS Certificate of Compliance, [click here](#)

Please visit the [Contact Us](#) section for any non-product compliance questions.

**Search Parts in this Series**

[87620Series](#)

**Mates With**

[87572](#) , [87012](#)

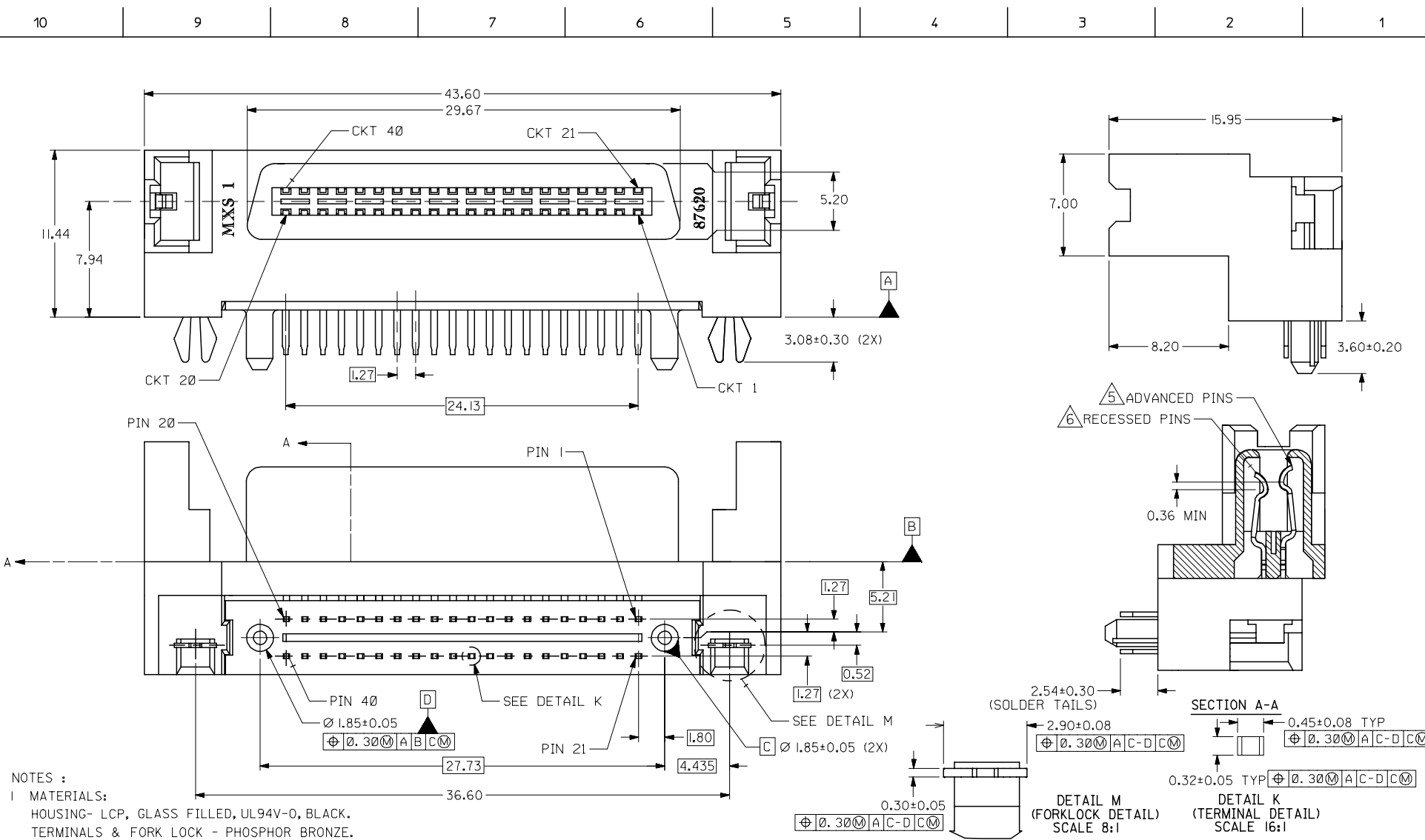
**Reference - Drawing Numbers**

Sales Drawing

SD-87620-001

This document was generated on 03/18/2010

**PLEASE CHECK [WWW.MOLEX.COM](http://WWW.MOLEX.COM) FOR LATEST PART INFORMATION**



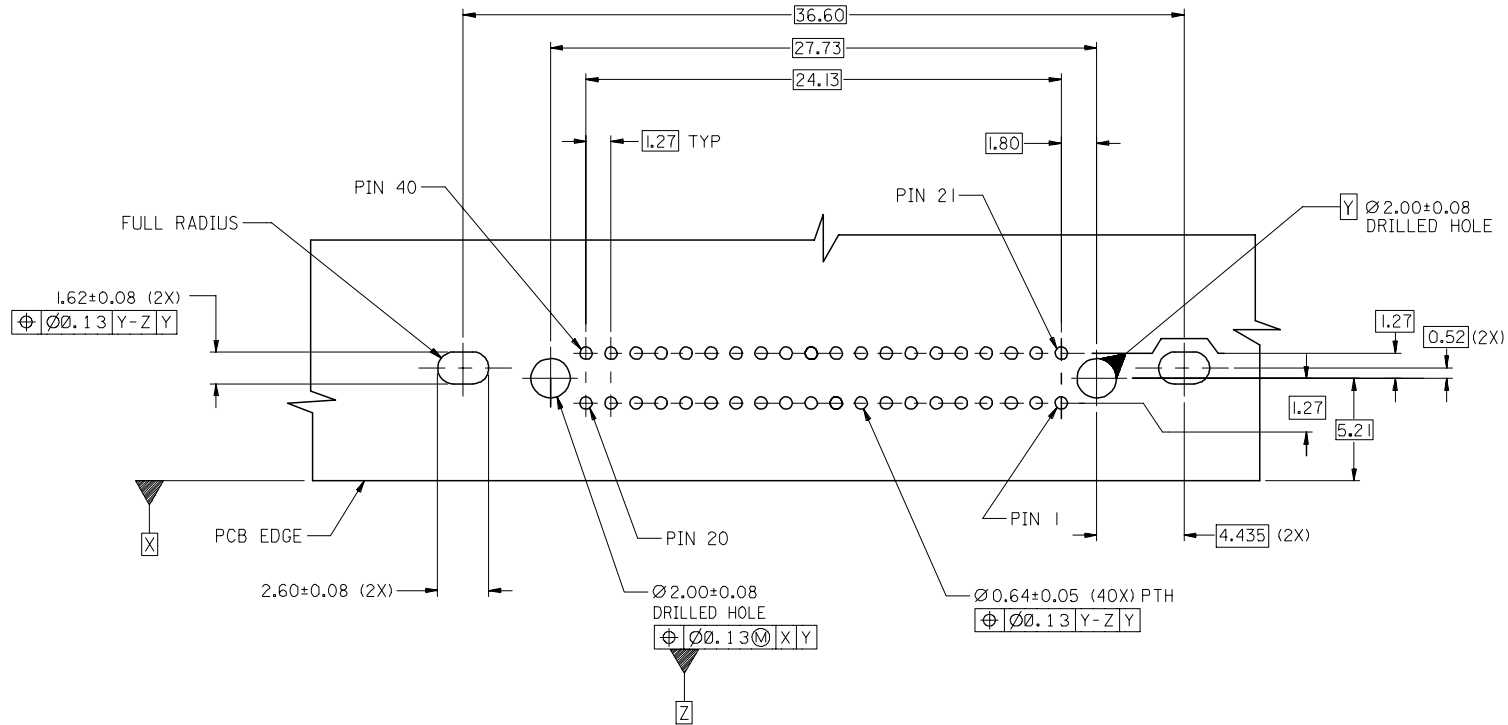
- NOTES :
- MATERIALS:  
HOUSING- LCP, GLASS FILLED, UL94V-0, BLACK.  
TERMINALS & FORK LOCK - PHOSPHOR BRONZE.
  - PLATING:  
0.76µM MIN. GOLD IN SELECTIVE CONTACT AREA  
AND 2.54µM MIN. TIN IN SOLDER TAIL AREA,  
BOTH OVER 1.27µM MIN. NICKEL.
  - PRODUCT SPECIFICATION: PS-87620-002
  - RECOMMENDED P.C. BOARD THICKNESS  
IS 1.57±/-0.13MM.
  - ADVANCED PIN NO: 21 TO 23, 26, 29, 32, 35 TO 40.
  - RECESSED PIN NO: 1 TO 20, 24, 25, 27, 28, 30, 31,  
33 & 34.

OBS EC NO: S2006-0817 DRWN:MLONG CHKD:CGTAN APPR:KCLING	2006/04/11	DESCRIPTION
	2006/04/12	
	2006/04/12	
	2006/04/12	
REV		

QUALITY SYMBOLS	GENERAL TOLERANCES (UNLESS SPECIFIED)
▽=0	mm INCH
▽=0	4 PLACES ± --- ± ---
	3 PLACES ± 0.15 ± ---
	2 PLACES ± 0.25 ± ---
	1 PLACE ± 0.3 ± ---
	ANGULAR ± 3 °
	DRAFT WHERE APPLICABLE MUST REMAIN WITHIN DIMENSIONS

DIMENSION STYLE		SCALE	DESIGN UNITS	THIRD ANGLE PROJECTION
MM ONLY		NTS	METRIC	
DRAWN BY	DATE	TITLE		
DS0H	1999/09/27	SCA-2, 1.27MM CTR. 40 CKTS, B-T-B RECEPTACLE, R/A		
CHECKED BY	DATE			
KCLING	1999/10/07			
APPROVED BY	DATE	MOLEX INCORPORATED		
SKTOH	1999/10/07			
MATERIAL NO.	DOCUMENT NO.	SHEET NO.		
87620-1001	SD-87620-001	1 OF 2		

THIS DRAWING CONTAINS INFORMATION THAT IS PROPRIETARY TO MOLEX INCORPORATED AND SHOULD NOT BE USED WITHOUT WRITTEN PERMISSION



RECOMMENDED PC BOARD LAYOUT  $\triangle 4$   
 COMPONENT SIDE

OBS TIN/LEAD P/N EC NO: S2006-0817 2006/04/11 DRWN:MLONG CHKD:CGTAN 2006/04/12 APPR:KCLING 2006/04/12	QUALITY SYMBOLS $\nabla=0$ $\triangle=0$	GENERAL TOLERANCES (UNLESS SPECIFIED)		DIMENSION STYLE MM ONLY		SCALE NTS	DESIGN UNITS METRIC	THIRD ANGLE PROJECTION		
			mm	INCH	DRAWN BY DSOH	DATE 1999/09/27	TITLE SCA-2, 1.27MM CTR. 40 CKTS, B-T-B RECEPTACLE, R/A			
		4 PLACES	± ---	± ---	CHECKED BY KCLING	DATE 1999/10/07				
		3 PLACES	± 0.15	± ---	APPROVED BY SKTOH	DATE 1999/10/07	MOLEX INCORPORATED			
	2 PLACES	± 0.25	± ---	MATERIAL NO. 87620-1001	DOCUMENT NO. SD-87620-001	SHEET NO. 2 OF 2				
	1 PLACE	± 0.3	± ---	DRAFT WHERE APPLICABLE MUST REMAIN WITHIN DIMENSIONS		THIS DRAWING CONTAINS INFORMATION THAT IS PROPRIETARY TO MOLEX INCORPORATED AND SHOULD NOT BE USED WITHOUT WRITTEN PERMISSION				
	ANGULAR ± 3 °		SIZE A3							